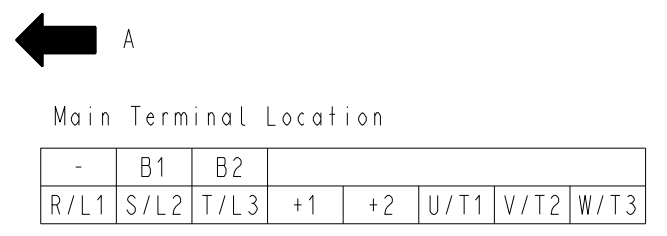
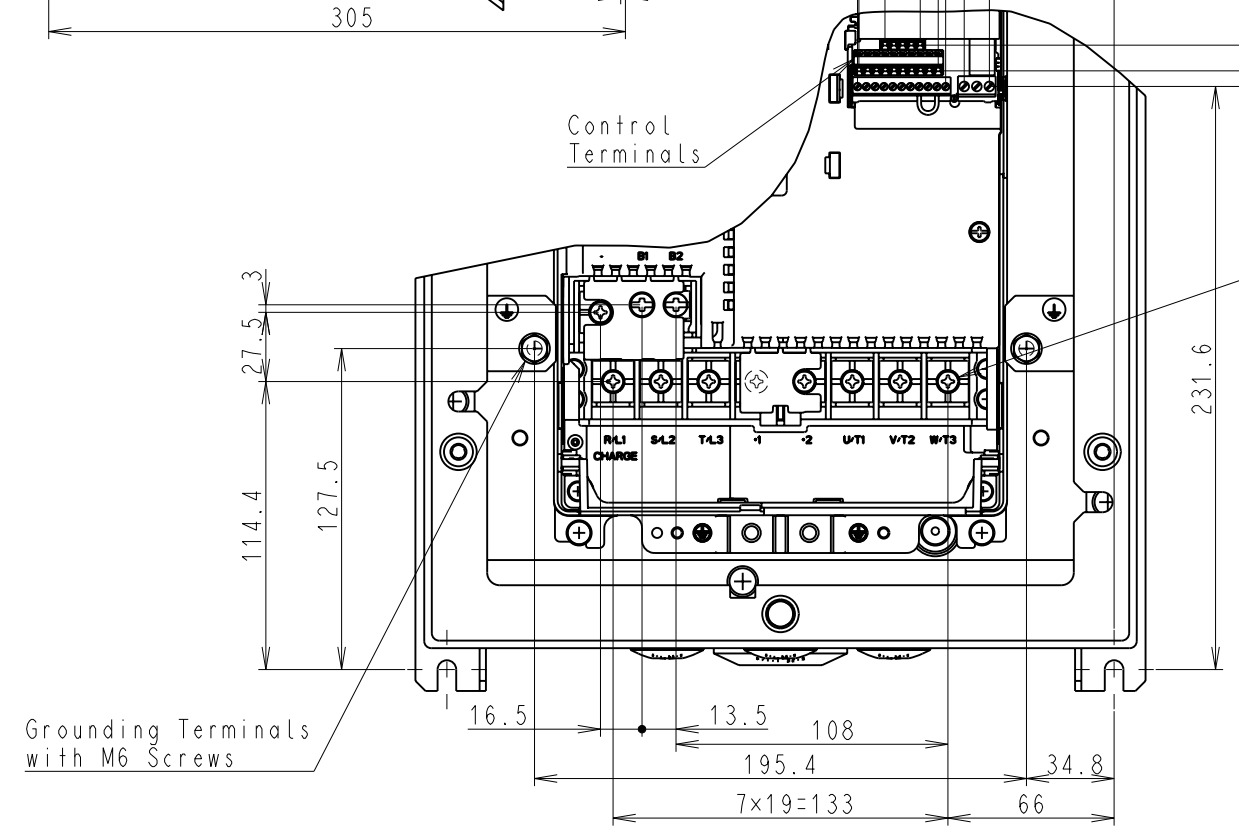
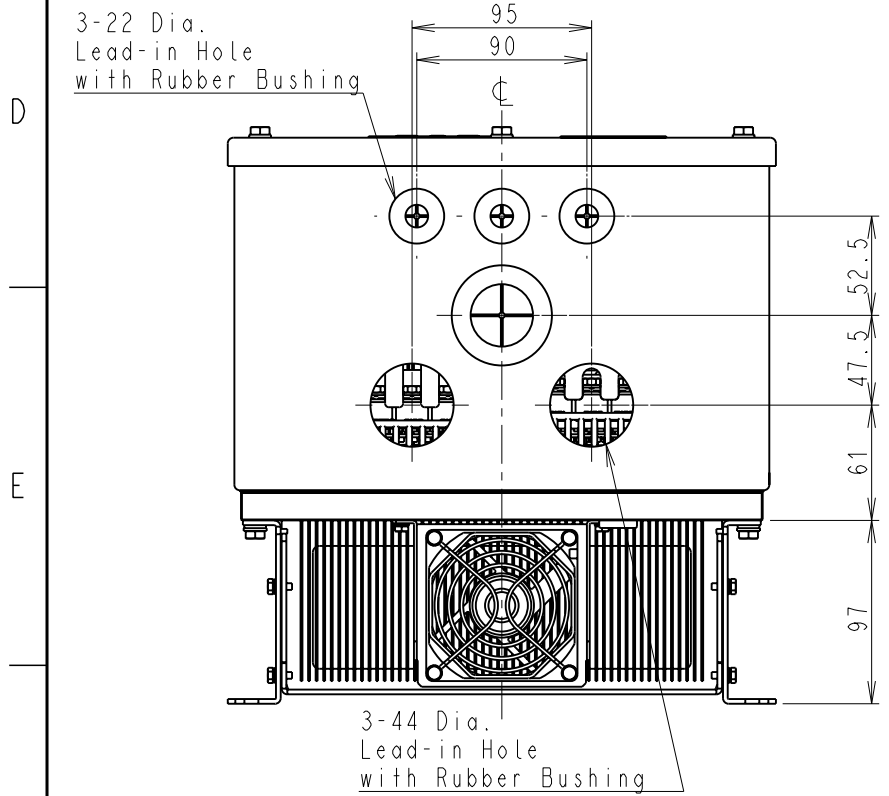
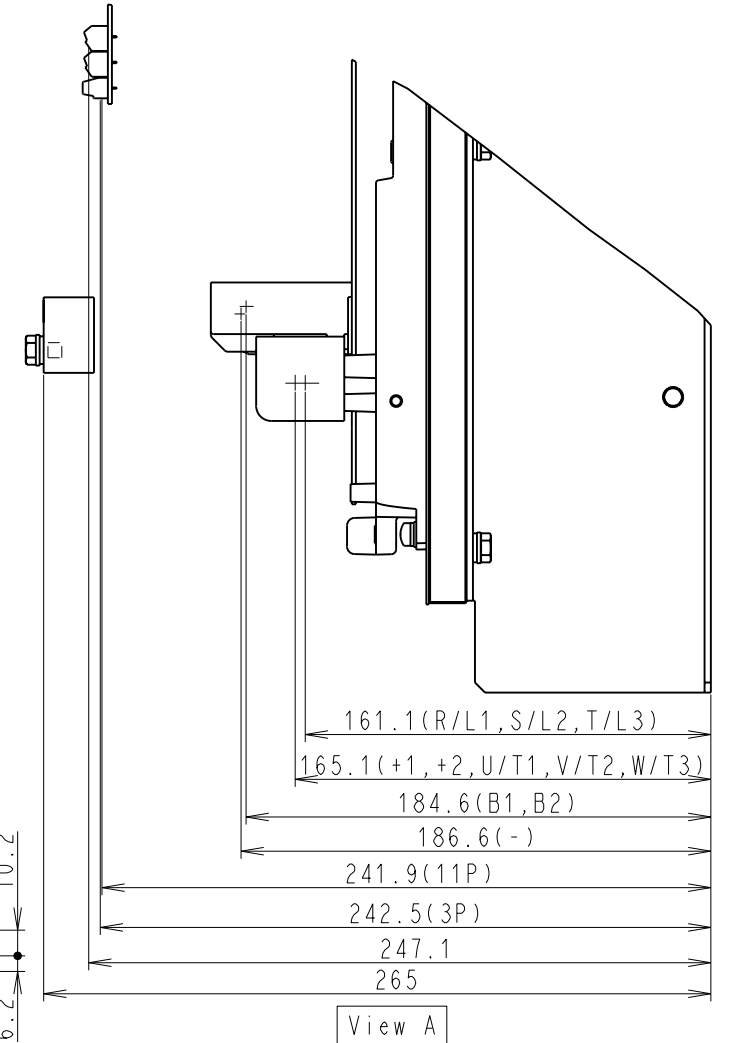
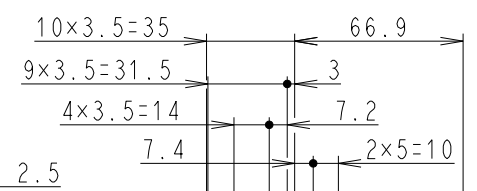
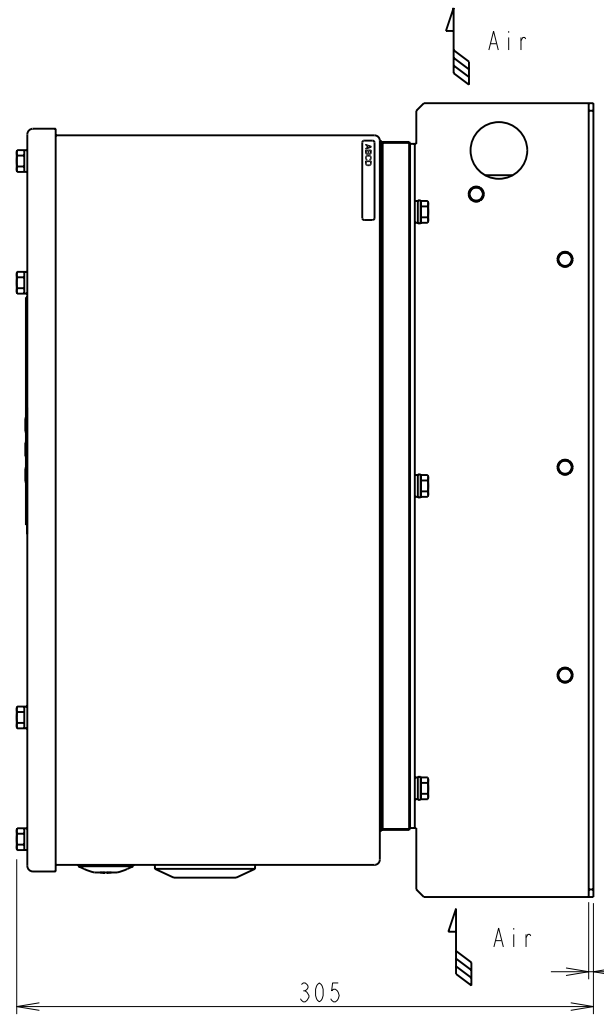
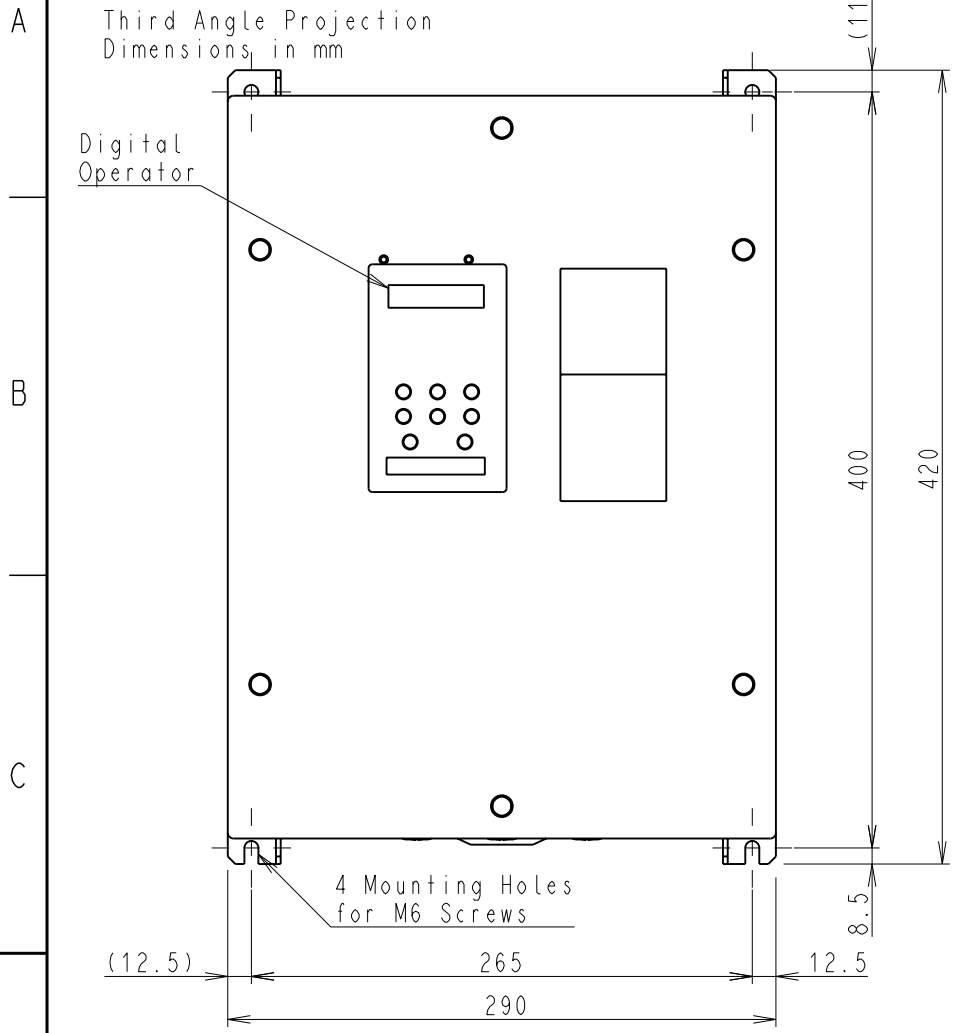


DWG. NO. EZZ901740-1/1

Model No.	Max Appli. Motor (kW)		Terminal Symbol			Cooling Fan	Mass (kg)			
	Normal Duty	Heavy Duty	INPUT OUTPUT(MOTOR)							
CIMR-V#4A0031G	15	11	R/L1	S/L2	T/L3	U/T1	V/T2	W/T3	1	22.9

#: A, U



SCALE 1:4

Detail (without Front cover) SCALE 1:3

REVISIONS	Nov. 27, 2008 T.Koura		DRAW. Jul.17,2008 Y.Nakano	TITLE V1000 NEMA4X/IP66 TYPE	DWG. NO. EZZ901740	1	REV. 1
			CHECK Jul.17,2008 K.Fukuda				
			APPR. Jul.17,2008 H.Okayama				
	SCALE - : -			DIMENSION DIAGRAM			